

6 Port Gigabit PoE Switch

4 Port PoE + 2 Port Uplink



0E-4PRJ45SFG

The 6 Port / 4 PoE Gigabit PoE Switch is fully integrated to support security monitoring, provides fast packet forwarding capability, as well as fast Ethernet transfer rates by utilizing the appropriate bandwidth to ensure clear images/smooth transmission and enough bandwidth for high -definition video.

- 4 x 10/100/1000 Mbps PoE Ports
- 1 x 10/100/1000 Mbps Port
- 1 x 1000 Mbps SFP Port
- Easy Set-up: Plug and Play
- 62W PoE Budget
- Switching Capacity: 12 gbps
- Port Status: LED Indicator
- Energy Efficient Switch
- Warranty: Limited Lifetime

PART # : 0E-4PRJ45SFG

UPC : 840049305120

Input of Power Supply: 100-240 VAC

Transmission Distance: 100 Meter (328ft)

MAC Address: 2K MAC Address Table

Dimension: 5.42" x 3.59" x 0.3"

139 x 91.5 x 29mm

Weight : 1.32 lb

0.6 kg

Product Certification:



TECHNOLOGIES

SPEC SHEET



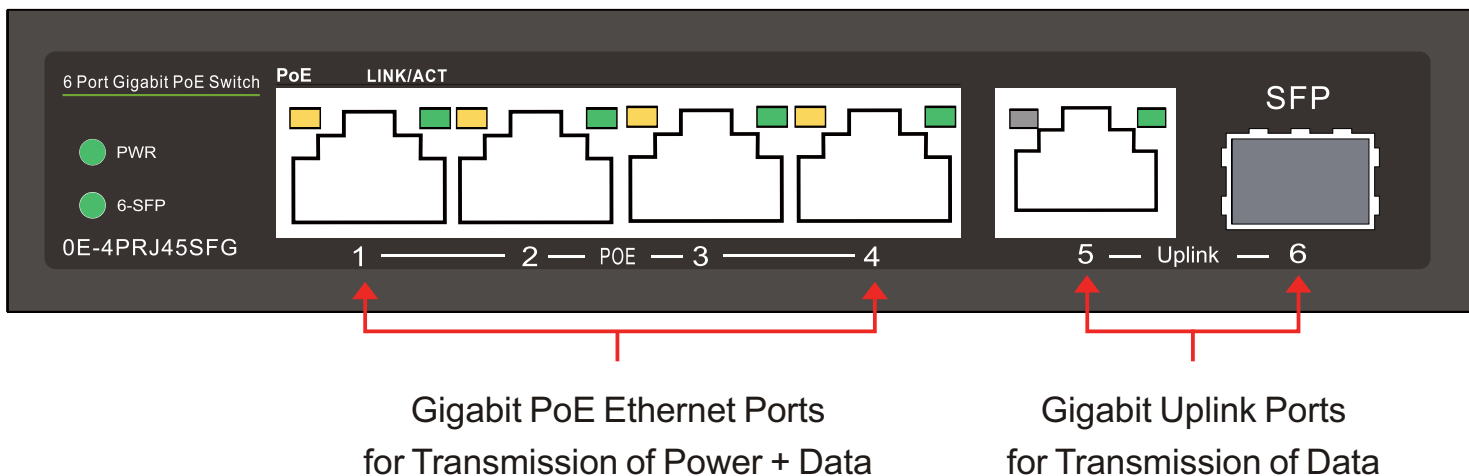
Item		Description
Power	Power Supply	External power supply
	Voltage Range	52 VDC
	PoE Power Budget	62W for PoE
Ethernet	Speed	1-5 Port: 10/100/1000Mbps Uplink: 1.25G for SFP
	Transmission Distance	RJ-45: 328ft (100 meters) SFP Port: Transmission distances vary with type of SFP module used. SFP module not included
Network Switch	Ethernet Standard	IEEE 802.3/802.3u/802.3ab/802.3af/at
	Switching capacity	12G
	Transfer Rate	14,880 pps for 10Mbps 148,800 pps for 100Mbps 148,8000 pps for 1000Mbps
	MAC Address	2K MAC address table
Port 5,6	On Green	The port is connecting
LINK/ACT	On Green	The port is connecting
	Blinks -	The port is receiving or transmitting data
	Off -	The port is not linked successfully with the device
PoE	On Orange	PD is connected
	Off -	No PD is connected or power forwarding fails
	PoE pin assignment	V+(RJ45 Pin 1,2), V-(RJ45 Pin 3, 6)
Working Environment	Working Temperature	0~40°C (32~104 Deg. F)
	Storage Temperature	-40~70°C (-40~158 Deg. F)
	Humidity non-condensing	0~85%
Mechanical	Dimension L * W * H	5.42" x 3.59" x 0.3"
		139 x 91.5 x 29mm
	Color	Black

FOR MORE INFORMATION,
CONTACT YOUR ADI SALES PERSON.

wboxtech.com

Board Diagram

Front



Back

